

FEATURES

Four, complete, 12-bit CMOS DACs with buffer registers

Linearity error: $\pm 1/2$ LSB T_{MIN} , T_{MAX} (AD394T)

Factory-trimmed gain and offset

Precision output amplifiers for V_{OUT}

Full four-quadrant multiplication per DAC

Monotonicity guaranteed over full temperature range

Fast settling: 15 μ s maximum to $\pm 1/2$ LSB

Available in MIL-STD-883B

PRODUCT DESCRIPTION

The AD394 contains four 12-bit, high-speed, low power, voltage output, multiplying digital-to-analog converters in a compact 28-pin hybrid package. The design is based on a proprietary, latched, 12-bit, CMOS DAC chip, which reduces chip count and provides high reliability. The AD394 is ideal for systems requiring digital control of many analog voltages where board space is at a premium and low power consumption is a necessity. Such applications include automatic test equipment, process controllers, and vector stroke displays.

The AD394 is laser-trimmed to $\pm 1/2$ LSB maximum differential and integral linearity (AD394T) and full-scale accuracy of ± 0.05 percent at 25°C. The high initial accuracy is possible because of the use of precision, laser-trimmed, thin-film scaling resistors.

The individual DAC registers are accessed by the $\overline{CS1}$ through $\overline{CS4}$ control pins. These control signals allow any combination of the DAC select matrix to occur (see Table 3). Once selected, the DAC is loaded with a single 12-bit wide word. The 12-bit parallel digital input interfaces to most 12- and 16-bit bus systems.

The AD394 outputs ($V_{REFIN} = 10$ V) provide a ± 10 V bipolar output range with positive-true offset binary input coding.

The AD394 is packaged in a 28-lead ceramic package and is available for operation over a -55°C to $+125^{\circ}\text{C}$ temperature range.

Rev. A

Information furnished by Analog Devices is believed to be accurate and reliable. However, no responsibility is assumed by Analog Devices for its use, nor for any infringements of patents or other rights of third parties that may result from its use. Specifications subject to change without notice. No license is granted by implication or otherwise under any patent or patent rights of Analog Devices. Trademarks and registered trademarks are the property of their respective owners.

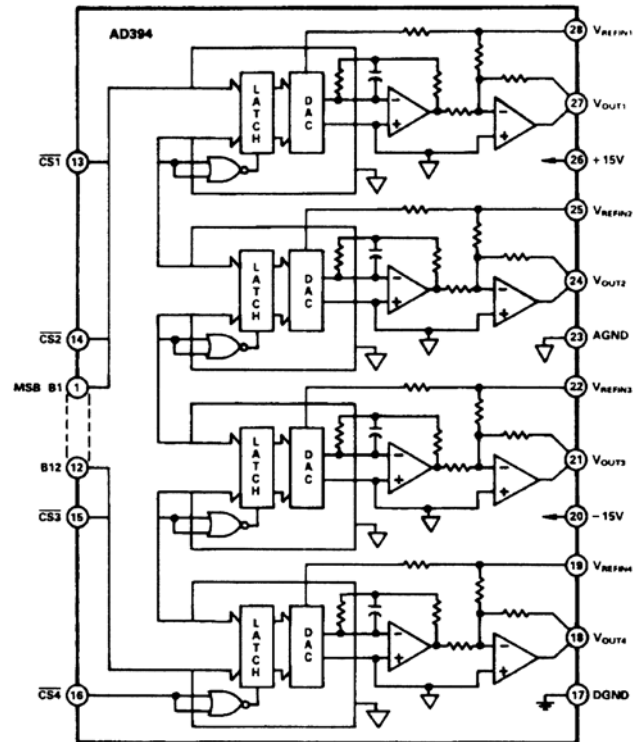


Figure 1. Functional Block Diagram

PRODUCT HIGHLIGHTS

1. The AD394 offers a dramatic reduction in printed circuit board space in systems using multiple low power DACs.
2. Each DAC is independently addressable and provides versatile control architecture for a simple interface to microprocessors. All latch enable signals are level-triggered.
3. The output voltage is trimmed to a full-scale accuracy of $\pm 0.05\%$. Settling time to $\pm 1/2$ LSB is 15 μ s maximum.
4. A maximum gain TC of 5 ppm/ $^{\circ}\text{C}$ is achievable.
5. Two- or four-quadrant multiplication can be achieved simply by applying the appropriate input voltage signal to the selected DAC's reference (V_{REFIN}).
6. The AD394TD features guaranteed accuracy and linearity over the -55°C to $+125^{\circ}\text{C}$ temperature range.

TABLE OF CONTENTS

Specifications.....	3	Analog Circuit Details	8
Absolute Maximum Ratings.....	5	Operation From ± 12 V Supplies.....	9
ESD Caution.....	5	Power Supply Decoupling	9
Pin Configuration and Functional Block Diagram.....	6	Improving Full-Scale Stability	9
Theory of Operation	7	Applications	9
Multiplying Mode.....	7	Applications	10
Data and Control Signal Format	7	Package Outline	12
Timing.....	8	Ordering Guide	12

REVISION HISTORY

9/04–Rev. 0 Changed to Rev. A

Updated format.....	Universal
Deleted AD395 part.....	Universal
Change to Product Description	1
Changes to Specifications table.....	3
Delete Figure 3	4
Delete Figure 6	5
Change to Theory of Operation section.....	7

7/85–Initial Version: Revision 0

SPECIFICATIONS

Table 1. $T_A = 25^\circ\text{C}$, $V_{\text{REFIN}} = 10\text{ V}$, $V_S = \pm 15\text{ V}$, unless otherwise specified

Model	AD394TD and AD394TD/883B ¹			Units
	Min	Typ	Max	
DATA INPUTS (Pins 1-16) ²				
TTL or 5 V CMOS-Compatible				
Input Voltage				
Bit ON (Logic 1)	2.4		5.5	V
Bit OFF (Logic 0)	0		0.8	V
Input Current		± 4	± 40	μA
RESOLUTION			12	Bits
OUTPUT				
Voltage Range ³		$\pm V_{\text{REFIN}}$		V
Current	5			mA
STATIC ACCURACY				
Gain Error		± 0.025	± 0.05	% of FSR ⁴
Offset		± 0.012	± 0.025	% of FSR
Bipolar Zero		± 0.012		% of FSR
Integral Linearity Error ⁵		$\pm 1/8$	$\pm 1/2$	LSB
Differential Linearity Error		$\pm 1/4$	$\pm 1/2$	LSB
TEMPERATURE PERFORMANCE				
Gain Drift			± 5	ppm FSR/ $^\circ\text{C}$
Offset Drift			± 5	ppm FSR/ $^\circ\text{C}$
Integrated Linearity Error ⁵				
T_{MIN} to T_{MAX}		$\pm 1/4$	$\pm 1/2$	LSB
Differential Linearity Error		MONOTONICITY GUARANTEED OVER FULL TEMPERATURE RANGE		
REFERENCE INPUTS				
Input Resistance	5		25	k Ω
Voltage Range	-11		+11	V
DYNAMIC PERFORMANCE				
Setting Time (to $\pm 1/2$ LSB)				
$V_{\text{REFIN}} = 10\text{ V}$, Change All Digital Inputs from 5.0 V to 0 V		10	15	μs
$V_{\text{REFIN}} = 0\text{ V}$ to 5 V Step, All Digital Inputs = 0 V		10	15	μs
Reference Feedthrough Error		See Figure 2		
Digital-to-Analog Glitch Impulse ⁶		250		nV-s
Crosstalk				
Digital Input (Static) ⁷		0.1		LSB
Reference ⁸		2.0		mV p-p
POWER REQUIREMENTS				
Supply Voltage ⁹	± 13.5		± 16.5	V
Current (All Digital Inputs 0 V or 5 V)				
$+V_S$		40	48	mA
$-V_S$		18	28	mA
Power Dissipation		570	750	mW

AD394

Model	AD394TD and AD394TD/883B ¹			Units
	Min	Typ	Max	
POWER SUPPLY GAIN SENSITIVITY				
+V _S		0.002		%FS/%
-V _S		0.0025		%FS/%
TEMPERATURE RANGE				
Operating (Full Specifications)				
T	-55		125	°C
Storage	-65		150	°C

¹ The AD394 T grade is available to MIL-STD-883, Method 5008, Class B. See Analog Devices Military Catalog (1985) for proper part number and detail specification.

² Timing specifications appear in Table 5 and Figure 6.

³ See the Theory of Operation section for code tables and graphs.

⁴ FSR means full-scale range and is equal to 20 V for a ± 10 V bipolar range and 10 V for a 0 V to 10 V unipolar range.

⁵ Integral nonlinearity is a measure of the maximum deviation from a straight line passing through the endpoints of the DAC transfer function.

⁶ This is a measure of the amount of charge injected from the digital inputs to the analog outputs when the inputs change state. It is usually specified as the area of the glitch in nVs and is measured with $V_{REFIN} = AGND$.

⁷ Digital crosstalk is defined as the change in any one output's steady state value as a result of any other output being driven from V_{OUTMIN} to V_{OUTMAX} into a 2k Ω load by means of varying the digital input code.

⁸ Reference crosstalk is defined as the change in any one output as a result of any other output being driven from V_{OUTMIN} to V_{OUTMAX} @10 kHz into a 2 k Ω load by means of varying the amplitude of the reference signal.

⁹ The AD394 can be used with supply voltages as low as ± 11.4 V. See Figure 10.

ABSOLUTE MAXIMUM RATINGS

Table 2.

Parameter	Rating
+V _S to DGND	−0.3 V to +17 V
−V _S to DGND	−17 V to +0.3 V
Digital Inputs (Pins 1-16) to DNGD	−0.3 V to +7 V
V _{REFIN} to DGND	±25 V
AGND to DGND	±0.6 V
Analog Output (Pins 18, 21, 24, 27)	Indefinite short to AGND or DGND momentary short to ±V _S

Stresses above those listed under “Absolute Maximum Ratings” may cause permanent damage to the device. This is a stress rating only and functional operation at or above this specification is not implied. Exposure to above maximum rating conditions for extended periods may affect device reliability.

ESD CAUTION

ESD (electrostatic discharge) sensitive device. Electrostatic charges as high as 4000 V readily accumulate on the human body and test equipment and can discharge without detection. Although this product features proprietary ESD protection circuitry, permanent damage may occur on devices subjected to high energy electrostatic discharges. Therefore, proper ESD precautions are recommended to avoid performance degradation or loss of functionality.

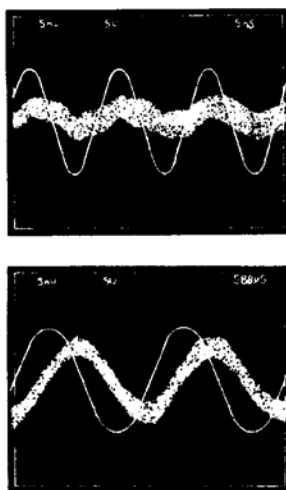


Figure 2. Feedthrough V_{REFIN} = 60 Hz (Top Photo) and 400 Hz (Bottom Photo). The Sine-Wave Digital Code Is Set at 1000 000 0000. Scale: Reference Input Is 5 V/DIV (Thin Trace). Feedthrough Output Is 5 mV/DIV. Time: 5 ms/DIV (Top Photo), 500 μs/DIV (Bottom Photo).

MIL-STD-883

The rigors of the military and aerospace environment, temperature extremes, humidity, mechanical stress, etc., demand the utmost in electronic circuits. The AD394, with the inherent reliability of an integrated circuit construction, was designed with these applications in mind. The hermetically-sealed, low profile DIP package takes up a fraction of the space required by equivalent modular designs and protects the chips from hazardous environments. To further insure reliability, the AD394 is fully compliant to MIL-STD-883 Class B, Method 5008.

PIN CONFIGURATION AND FUNCTIONAL BLOCK DIAGRAM

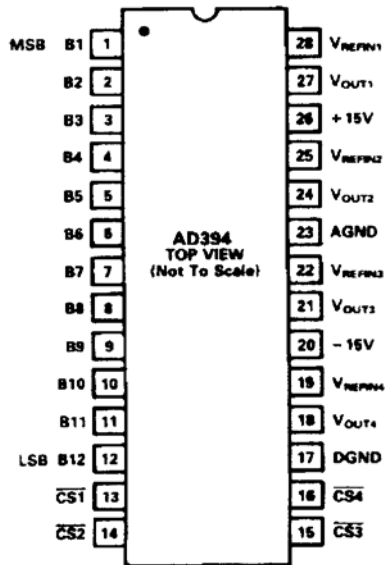


Figure 3. Pin Configuration

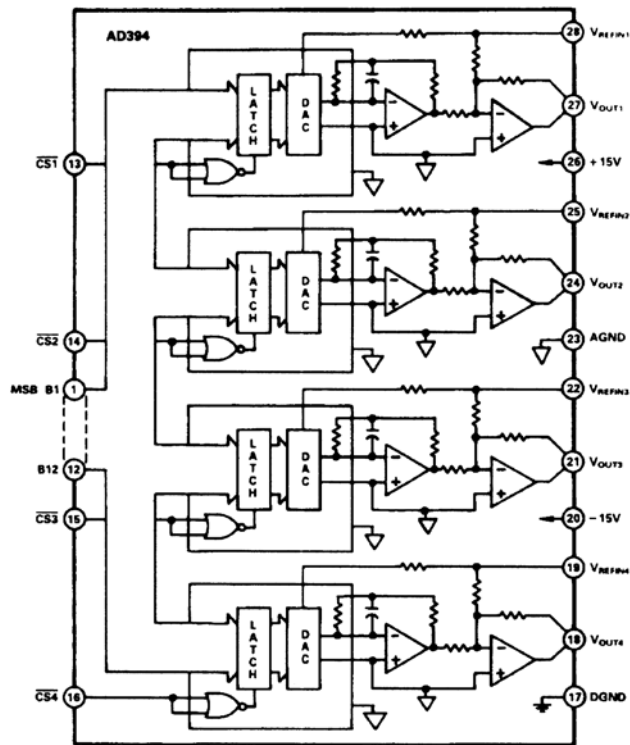


Figure 4. Functional Block Diagram (Bipolar)

THEORY OF OPERATION

The AD394 quad DAC provides four-quadrant multiplication. It is a hybrid IC comprised of four, monolithic, 12-bit, CMOS, multiplying DACs and eight precision output amplifiers. Each of the four independent-buffered channels has an independent reference input capable of accepting a separate dc or ac signal for multiplying or for function generation applications. The CMOS DACs act as digitally programmable attenuators when used with a varying input signal or, if used with a fixed dc reference, the DAC would act as a standard bipolar output DAC. In addition, each DAC has a 12-bit wide data latch to buffer the converter when connected to a microprocessor data bus.

MULTIPLYING MODE

Figure 5 shows the transfer function. The diagram indicates an area over which many different combinations of the reference input and digital input can result in a particular analog output voltage. The highlighted transfer line in the diagram indicates the transfer function if a fixed reference is at the input. The digital code above the diagram indicates the midpoint and endpoints of each function. The relationship between the reference input (V_{REFIN}), the digital input code, and the analog output is given in Table 4. Note that the reference input signal sets the slope of the transfer function (and determines the full-scale output at code 111...111), while the digital input selects the horizontal position in each diagram.

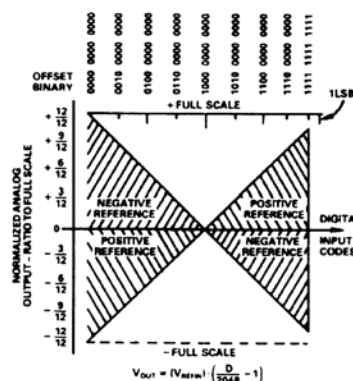


Figure 5. The AD394 as a Four-Quadrant Multiplier of Reference and Digital Input

DATA AND CONTROL SIGNAL FORMAT

The AD394 accepts 12-bit parallel data in response to Control Signals CS1–CS4. As detailed in Table 3, the four chip select lines are used to address the DAC register of interest. It is permissible to have more than one chip select active at any time. If CS1–CS4 are all brought low coincident, all four DAC outputs will be updated to the value located on the data bus. All control inputs are level-triggered and may be hard-wired low to render any register (or group of registers) transparent.

Table 3. DAC Select Matrix

CS1	CS2	CS3	CS4	Operation
1	1	1	1	All DACs latched
0	1	1	1	Load DAC 1 from data bus
1	0	1	1	Load DAC 2 from data bus
1	1	0	1	Load DAC 3 from data bus
1	1	1	0	Load DAC 4 from data bus
0	0	0	0	All DACs simultaneously loaded

Table 4. Bipolar Code Table

Data Input			Analog Output	Analog Output Voltage, $V_{REFIN} = 10\text{ V}$	
1111	1111	1111	$1 \times (V_{REFIN})$	$\left\{ \frac{2047}{2048} \right\}$	9.9951 V Full Scale – 1 LSB
1100	0000	0000	$1 \times (V_{REFIN})$	$\left\{ \frac{1024}{2048} \right\}$	5.000 V 1/2 Scale
1000	0000	0001	$1 \times (V_{REFIN})$	$\left\{ \frac{1}{2048} \right\}$	4.88 mV 1 LSB
1000	0000	0000	$1 \times (V_{REFIN})$	$\left\{ \frac{0}{2048} \right\}$	0.000 V Zero
0111	1111	1111	$-1 \times (V_{REFIN})$	$\left\{ \frac{1}{2048} \right\}$	-4.88 mV -1LSB
0100	0000	0000	$-1 \times (V_{REFIN})$	$\left\{ \frac{1024}{2048} \right\}$	-5.000 V -1/2 Scale
0000	0000	0000	$-1 \times (V_{REFIN})$	$\left\{ \frac{2048}{2048} \right\}$	-10.000 V -Full Scale

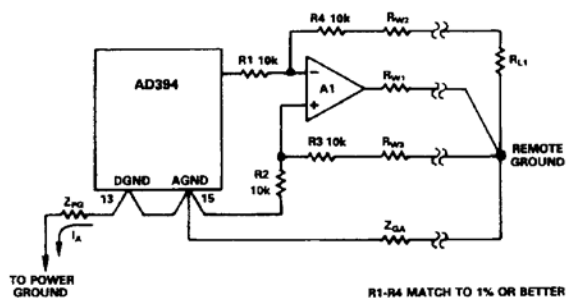


Figure 9. Use of Subtractor Amplifier to Preserve Accuracy

OPERATION FROM ±12 V SUPPLIES

The AD394 may be used with ±12 V ±5% power supplies if certain conditions are met. The most important limitation is the output swing available from the output op amps. These amplifiers are capable of swinging only up to 3 V from either supply. Thus, the normal ±10 V output range cannot be used. Changing the output scale is accomplished by changing the reference voltage. With a supply of ±11.4 V (5% less than ±12 V), the output range is restricted to a maximum ±8.4 V swing. It may be useful to scale the output at ±8.192 V (yielding a scale factor of 4 mV per LSB).

Figure 10 shows a suggested circuit to set up a ±8.192 V output range. To help prevent poor gain drift due to a possible mismatch between R_{IN} and $R_{THEVENIN}$ of the divider network, it is recommended to buffer R_{IN} , the potentiometer wiper voltage, with an OP-07.

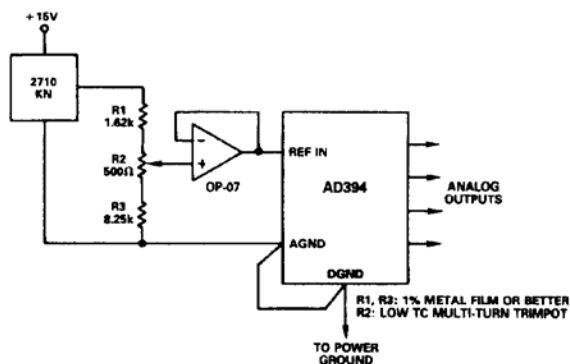


Figure 10. Connections for ±8.192 V Full Scale (Recommended for ±12 V Power Supplies)

POWER SUPPLY DECOUPLING

The power supplies used with the AD394 should be well-filtered and regulated. Local supply decoupling consisting of a 10 μF tantalum capacitor in parallel with 0.1 μF ceramic capacitor is suggested. The decoupling capacitors should be connected between the supply pins and the AGND pin. If an output booster is used, its supplies should also be decoupled to the load ground.

IMPROVING FULL-SCALE STABILITY

In large systems using multiple DACs, it may be desirable for all devices to share a common reference. A precision reference can greatly improve system accuracy and temperature stability.

The AD2710 is a suitable reference source for such systems. It features a guaranteed maximum temperature coefficient of ±1 ppm/°C. The combination of the AD2710LN and AD394, as shown in Figure 11, yields a multiple DAC system with maximum full-scale drift of ±6 ppm/°C and excellent tracking.

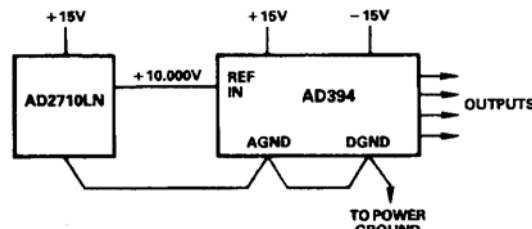


Figure 11. Low Drift Configuration

APPLICATIONS

Interfacing the AD394 to Microprocessors

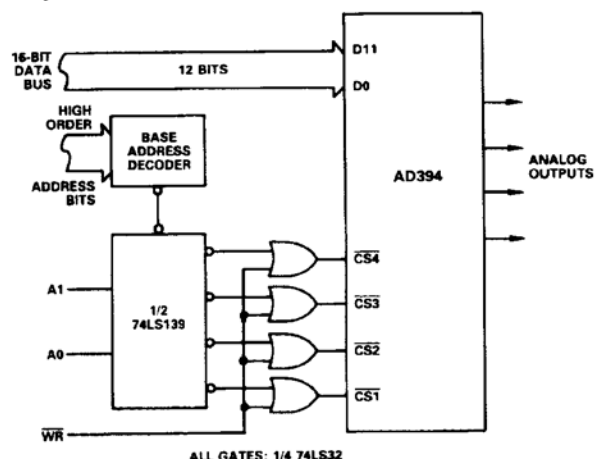
The AD394 control logic provides a simple interface to microprocessors. The individual latches allow for multi-DAC interfacing to a single data bus.

16-Bit Processors

The AD394 is a 12-bit resolution DAC system and is easily interfaced to 16-bit wide data buses. Several possible addressing configurations exist.

In the circuit shown in Figure 12, a system write signal is used to control the decoded address lines and a 74LS139 decoder driven from the least significant address bits provides the active-low CS1 through CS4 signals. In the circuit in Figure 12, address lines A0 and A1 each select a single DAC of the four contained in the AD394. The use of a separate address line for each DAC allows several DACs to be accessed simultaneously. The address lines are gated by the simultaneous occurrence of a system WR and the appropriately decoded base address.

In the addressing scheme shown in Figure 12, A0 represents the least significant word address bit. Data may reside in either the 12 MSBs (left-justified) or the 12 LSBs (right-justified). Left justification is useful when the data-word represents a binary fraction of full scale, while right-justified data usually represents an integer value between 0 and 4095.

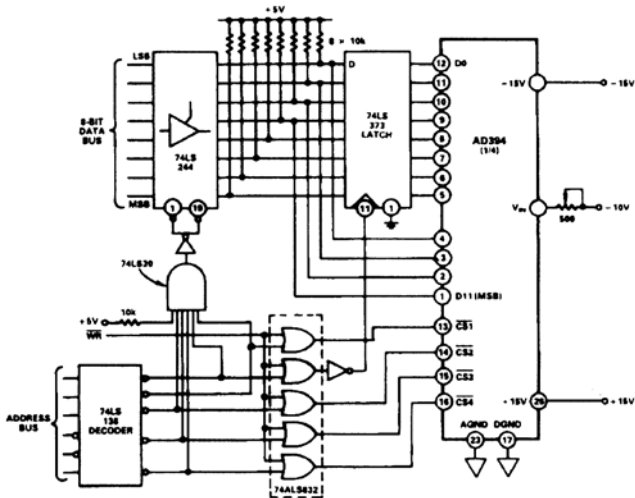


ALL GATES: 1/4 74LS32
Figure 12. 16-Bit Bus Interface

AD394

8-Bit Processors

The circuit of Figure 13 shows the general principles for connecting the AD394 to an 8-bit data bus. The 74LS244 buffers the data bus; its outputs are enabled when the DAC address appears on the address bus. The first byte sent to the DAC is loaded to the 74LS373 octal latch and, when the second byte is sent to the DAC, it is combined with the first byte to create a 12-bit word. The connections shown are for right-hand justified data. CS and WR inputs to the DAC are also gated, and when active, the DAC is loaded. Pull-up resistors at the output of the 74LS244 buffer ensure that the inputs to the DAC do not float at an ill-defined level when the DAC is not being addressed. This method of connecting 12-bit DACs to an 8-bit data bus is most cost effective when multiple DACs are utilized for 8-bit data bus applications.



NOTE: UNUSED HEX INVERTER INPUTS SHOULD BE TIED LOW. ALL OTHER GATE INPUTS SHOWN SHOULD BE TIED HIGH TO +5V THROUGH A 10kΩ RESISTOR.

Figure 13. 8-Bit Data Bus Interface

APPLICATIONS

The functional density of the AD394 permits complex analog functions to be produced under digital control, where board space requirements would otherwise be prohibitive. Multiple-output plotters, multichannel displays, complex waveform generation, and multiple programmable voltage sources can all be implemented with the AD394 in a fraction of the space that would be needed if separate DACs were used.

Using the AD394 for Analog-to-Digital Conversion

Many systems require both analog output and analog input capability. While complete integrated circuit analog-to-digital converters (such as the AD574A) are readily available, the AD394 can be used as the precision analog section of an ADC if some external logic is available. Several types of analog-to-digital converters can be built with a DAC, comparator, and control logic, including staircase, tracking, and successive-approximation types. In systems that include a microprocessor, only a comparator must be added to the AD394 to accomplish

the ADC function since the processor can perform the required digital operations under software control. A suitable circuit is shown in Figure 14. The AD311 comparator compares the unknown input voltage to one of the AD394 outputs for the analog-to-digital conversion, while the other three outputs are used as normal DACs. The diode clamp shown limits the voltage swing at the comparator input and improves conversion speed. With careful layout, a new comparison can be performed in less than 15 μs, resulting in a 12-bit successive approximation conversion in under 180 μs. The benefit of using the AD394 in this application is that one ADC and three DACs can be implemented with only two IC packages (the AD394 and the comparator).

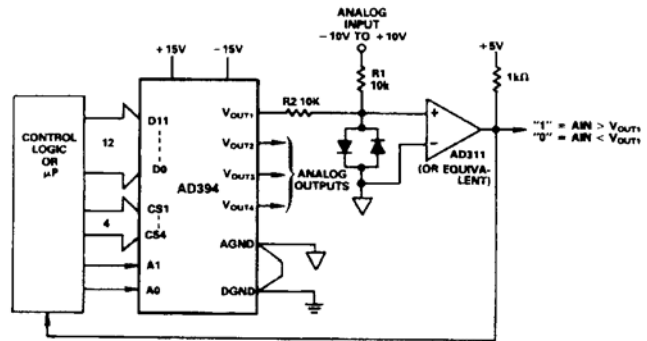


Figure 14. Using One AD394 Output for A/D Conversion

Programmable Window Comparator

The AD394 can be used to perform limit testing of responses to digitally controlled input signals. For example, two DACs may be used to generate software-controlled test conditions for a component or circuit. The response to these input conditions can be either completely converted from analog to digital or simply tested against high and low limits generated by the two DACs in the AD394.

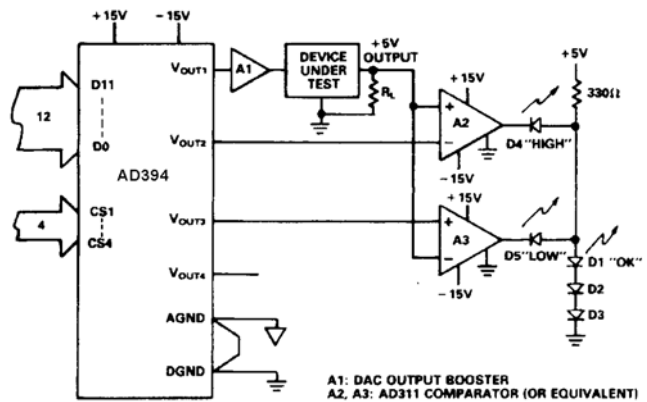


Figure 15. Programmable Window Comparator Used in Power-Supply Testing

In the circuit shown in Figure 15, two AD311 voltage comparators are used within the AD394 to test the output of a 5 V power-supply regulator. The AD394 VOUT1 output (through an appropriate current booster) drives the input to the regulator to simulate variations in input voltage. The output of the regulator is applied to Comparators 1 and 2, with their outputs wire-

ORed with LED indicators as shown. The test limits for each comparator are programmed by the AD394 V_{OUT2} and V_{OUT3} outputs. When the output of the device under testing is within the limits, both comparators are off and D1 lights. If the output is above or below the limits, either D4 or D5 lights.

AD394 as a Multiplier and Attenuator

So far, it has been assumed that the reference voltage V_{REFIN} is fixed. In fact, V_{REFIN} can be any voltage within the range of $-11\text{ V} < V_{REFIN} < +11\text{ V}$. It can be negative, positive, sinusoidal, or whatever the user prefers. This leads to the name “multiplying D/A converters” because the output voltage, V_{OUT} , is proportional to the product of the digital input word and the voltage at the V_{REFIN} terminal.

$$V_{OUT} = -1(V_{REFIN}) \frac{D}{(4096)} \quad (0 < D < 4095)$$

D is the fractional binary value of the digital word applied to the converter. The AD394 multiplies the digital input value by the analog input voltage at V_{REFIN} for any value of V_{REFIN} up to 22 V p-p. This in itself is a powerful tool. Applications requiring precision multiplication with minimal zero offset and very low distortion should consider the AD394 as a candidate. One popular use for the AD394 is as an audio frequency attenuator. The audio signal is applied to the V_{REFIN} input and the attenuation

code is applied to the DAC; the output voltage is the product of the two—an attenuated version of the input. The maximum attenuation range obtainable utilizing 12 bits is 4096:1 or 72 dB.

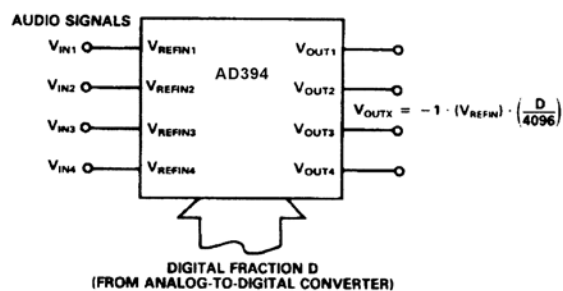


Figure 16. AD394 as a Multiplier or Attenuator

